

HORTON BRASSES, INC.

MAKERS OF FINE HARDWARE

~ SINCE 1936 ~

Digital Catalog 2019

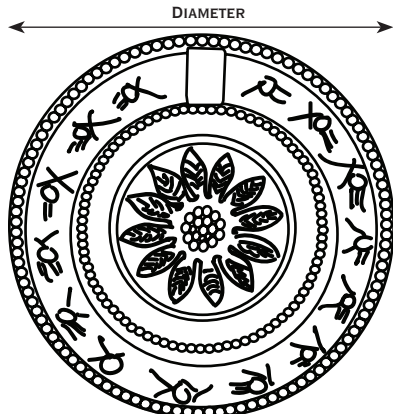
Empire



H-26 Empire Ring Pull

Ring pulls and round bail pulls became quite popular in the 1800's. The ring pulls here are popular on chests and servers just as they have been for more than 200 years. Remaining veracious to original patterns, all round pulls are hand finished in our Cromwell, Connecticut factory. Intricate details convey a unique character with each concentric circle design.

A perfect complement to cabinets, drawers, and furniture, all empire ring and bails pulls have a choice of five brass finishes, and a custom nickel finish is available.



H-26 ACTUAL SIZE

Available
Finishes



*Hardware shown in the Antique finish.
See the rest of the finishes online at
www.horton-brasses.com/empireround.asp*

Dimensions

	diameter	projection
H-26	2"	1/2"



H-32 Empire Ring Pull

Dimensions

	diameter	projection
H-32	1 ³ / ₈ "	1/ ₈ "
H-32	2"	1/ ₄ "
H-32	2 ¹ / ₂ "	1/ ₄ "

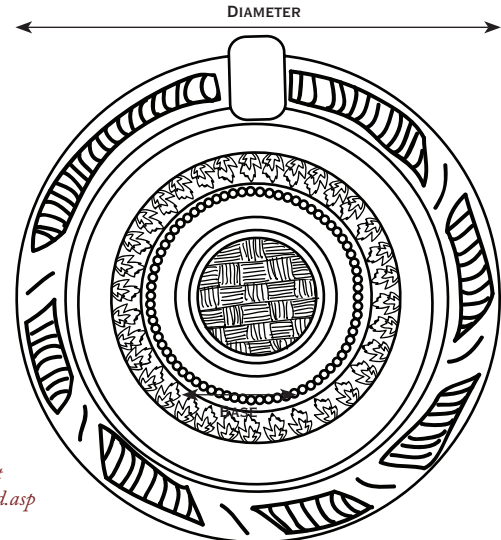
H-32 Light Antique



Ring pulls and round bail pulls became quite popular in the 1800's. The ring pulls here are popular on chests and servers just as they have been for more than 200 years. Remaining veracious to original patterns, all round pulls are hand finished in our Cromwell, Connecticut factory. Intricate details convey a unique character with each concentric circle design.

A perfect complement to cabinets, drawers, and furniture, all empire ring and bail pulls have a choice of five brass finishes, and a custom nickel finish is available.

Available
Finishes



See the rest of the finishes online at
www.horton-brasses.com/empireround.asp

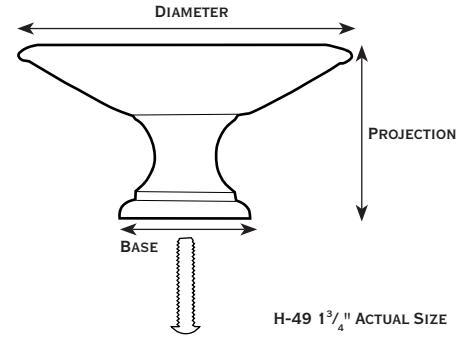
H-32 2¹/₂" ACTUAL SIZE

H-49 Empire Knobs

This Empire knob has exquisite detail - the stamping is breathtaking. Tiny inscribed lines form roping around the edge, with delicate beading wrapping the lines. These knobs will mount with a machine screw.

We supply this knob with a screw that will fit $\frac{3}{4}$ " thick wood perfectly. If your wood is thicker or thinner, please tell us so we can provide different lengths.

These knobs are made in Italy, and finished by hand in the USA.



Dimensions

	diameter	projection	base
H-49	1"	$\frac{5}{8}$ "	$\frac{1}{2}$ "
H-49	$1\frac{3}{16}$ "	$\frac{3}{4}$ "	$\frac{9}{2}$ "
H-49	$1\frac{3}{8}$ "	$1\frac{3}{16}$ "	$\frac{5}{8}$ "
H-49	$1\frac{9}{16}$ "	$\frac{7}{8}$ "	$1\frac{11}{16}$ "
H-49	$1\frac{3}{4}$ "	$\frac{7}{8}$ "	$1\frac{11}{16}$ "

Available
Finishes



See the rest of the finishes online at
www.horton-brasses.com/empireknobs.asp



H-49 Light Antique

