

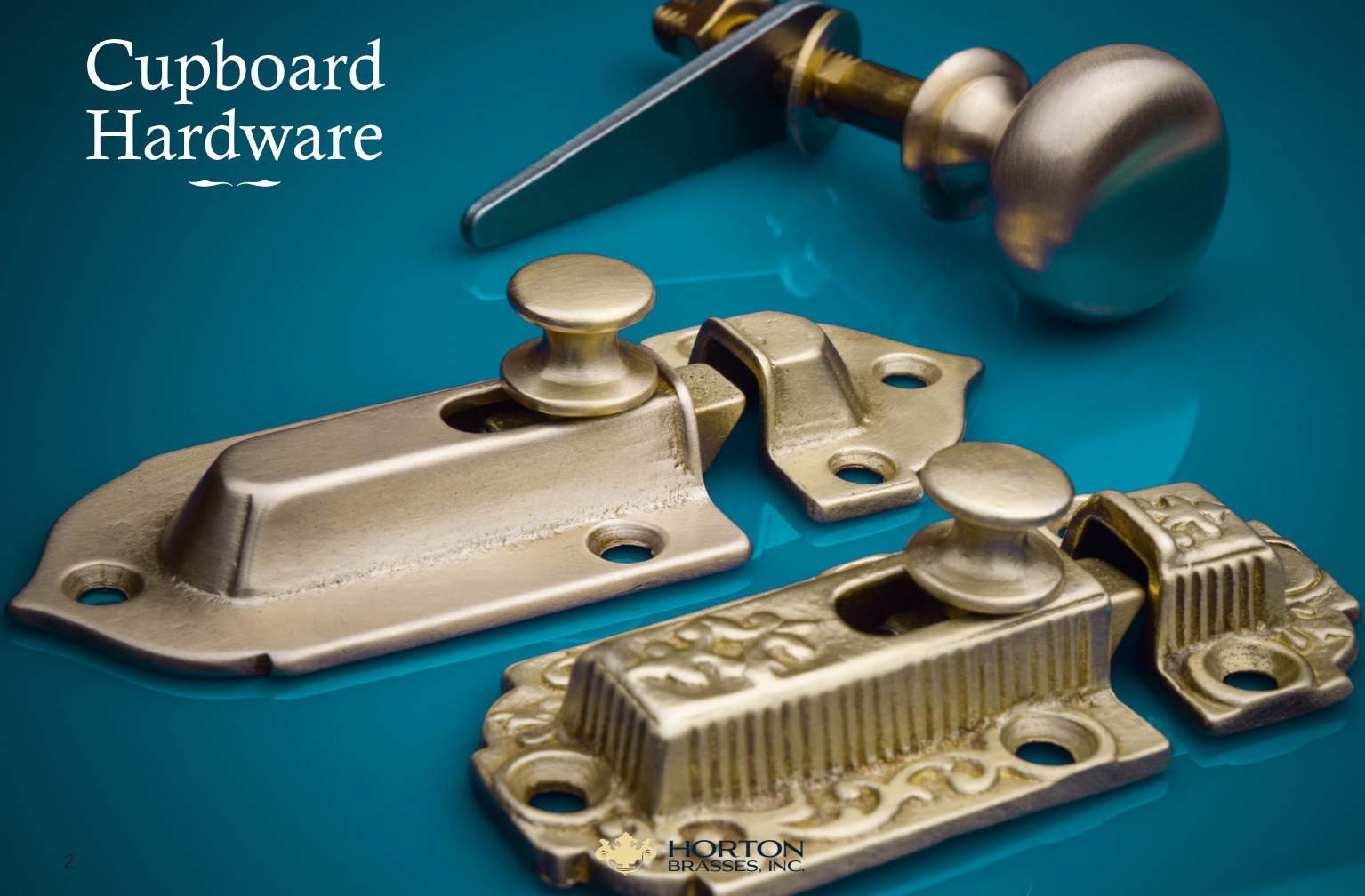
HORTON BRASSES, INC.

MAKERS OF FINE HARDWARE

~ SINCE 1936 ~

Digital Catalog 2019

Cupboard Hardware



HORTON
BRASSES, INC.

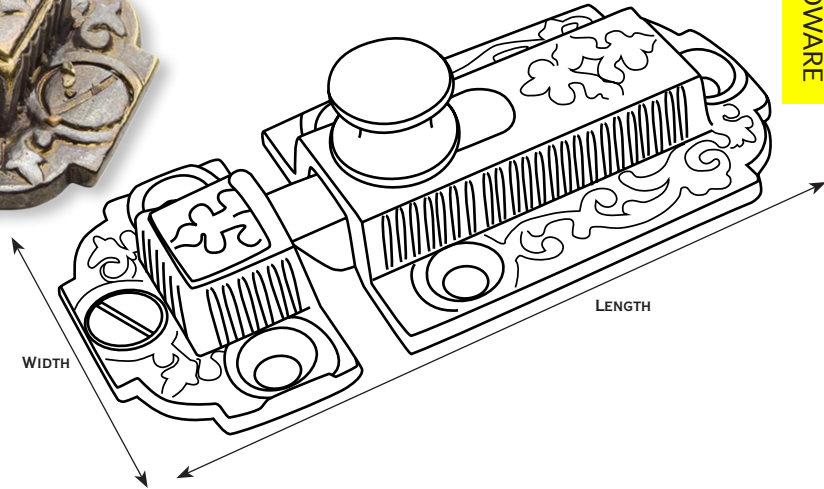
SL-2 Cast Brass Victorian Spring Latch

SL-2 Antique

With an ornate Victorian presentation, these cast brass spring latches are extremely durable and will last through years of use. These are authentic reproductions of early cabinet and cupboard hardware. Available in all five of our house finishes.

Dimensions

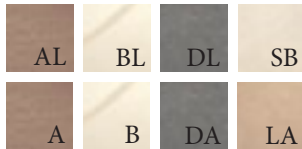
| | length | width | projection |
|------|------------------|------------------|-----------------|
| SL-2 | $2\frac{3}{4}$ " | $1\frac{1}{4}$ " | $\frac{3}{4}$ " |



CUPBOARD HARDWARE

See the rest of the finishes online at www.horton-brasses.com/cabinetlatches.asp

Available Finishes



SL-3 Cast Brass Early Style Spring Latch

Simple, spring style latch cast from solid brass and is extremely durable. This latch will last through years of normal use. These are authentic reproductions of early cabinet and cupboard hardware. Available in all five of our house finishes.

Dimensions

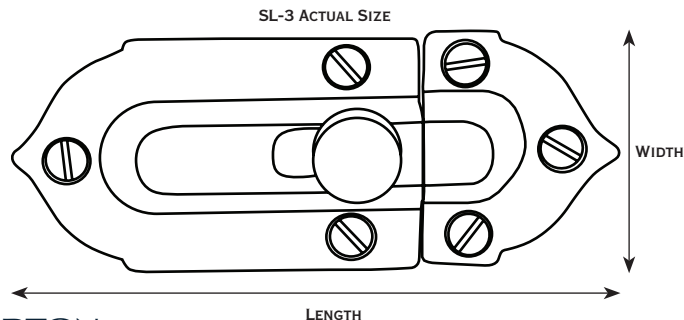
| | length | width | projection |
|------|-------------------|-------------------|-------------------|
| SL-3 | 3 $\frac{1}{8}$ " | 1 $\frac{1}{4}$ " | 3 $\frac{3}{4}$ " |



SL-3 Semi Bright

*See the rest of the finishes online at
www.borton-brasses.com/cabinetlatches.asp*

Available
Finishes



**HORTON
BRASSES, INC.**

H-130 Cast Brass Turnbuckle Latch

Simple and traditional cabinet hardware, this round turnbuckle latch is an authentic reproduction of early cabinet and cupboard hardware. Cast from solid brass, each latch improves the functionality and safety features in your kitchen and other storage areas of your home. Available in five brass finishes. H-130 available as a complete assembly or turnbuckle only if you prefer.

*See the rest of the finishes online at
www.horton-brasses.com/cabinetlatches.asp*

H-130 Antique

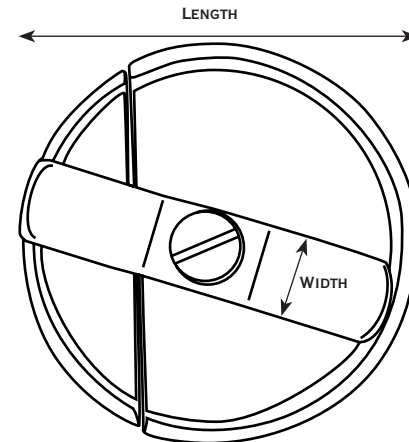


Available
Finishes



Dimensions

| | length | width |
|--------|------------------|------------------|
| H-130 | $1\frac{3}{4}$ " | $1\frac{3}{4}$ " |
| H-130T | $1\frac{5}{8}$ " | $\frac{3}{8}$ " |



Solid Brass Cupboard Knobs & Turns

Our solid brass cupboard turns and knobs are classics. Heavy and substantial, they grasp naturally even if your hands are covered with flour and oil.

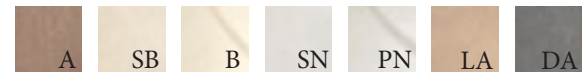
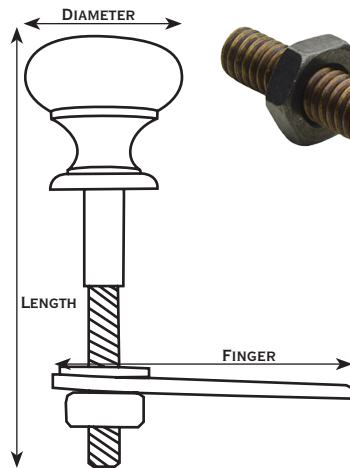
Cupboard turns are each fitted with a traditional brass shank, finger, nut, and washer. The knobs with a shank and nut function are the same as a typical cabinet knob, just with an old world appearance.

Cupboard turns are available in three sizes and in seven finishes.

Dimensions

| | length | knob diameter | finger |
|-------|---------------------------------|---------------------------------|---------------------------------|
| CP-20 | 2 ¹ / ₄ " | 3 ³ / ₄ " | 1" |
| H-97 | 2 ³ / ₄ " | 1" | 1 ⁷ / ₈ " |
| H-97L | 3" | 1 ¹ / ₄ " | 1 ⁷ / ₈ " |
| P-97 | 2 ³ / ₄ " | 1" | - |
| P-97L | 3" | 1 ¹ / ₄ " | - |

See the rest of the finishes online at
www.horton-brasses.com/solidbrassround2.asp



Available
Finishes

H-40 Stirrup Pull

Stirrup pulls were an elegant method of opening a cabinet door. Each stirrup is a casting and quite delicate in appearance, yet durable and sturdy. Each stirrup pull is hand made in the USA.

All hardware includes all fasteners needed for installation. Available in five brass finishes as well as two custom nickel finishes.

Available
Finishes



*Hardware shown in the Light Antique finish.
See the rest of the finishes online at
www.horton-brasses.com/stirruppulls.asp*

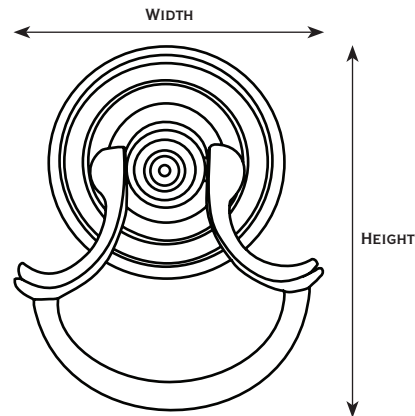
Dimensions

H-40 Cupboard Turn

$1\frac{5}{8}$ " width, $1\frac{3}{4}$ " height,
 $1\frac{1}{4}$ " back plate, $\frac{7}{8}$ " projection

H-40 MSF

$1\frac{5}{8}$ " width, $1\frac{3}{4}$ " height,
 $1\frac{1}{4}$ " back plate, $\frac{7}{8}$ " projection



H-40 ACTUAL SIZE

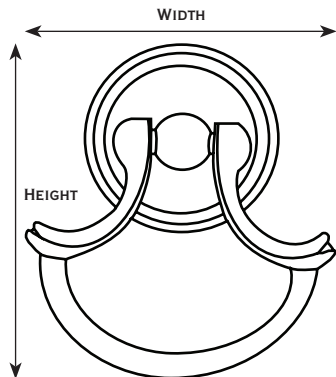
H-83 Stirrup Pull

Stirrup pulls were an elegant method of opening a cabinet door. Each stirrup is a casting and quite delicate in appearance, yet durable and sturdy. Each stirrup pull is hand made in the USA.

All hardware includes all fasteners needed for installation. Available in five brass finishes as well as two custom nickel finishes.

Dimensions

| | projection | width | height |
|----------|------------------|------------------|--------------------|
| H-83 | $1\frac{1}{2}$ " | $1\frac{5}{8}$ " | $1\frac{3}{4}$ " |
| H-83 MSF | $1\frac{1}{2}$ " | $1\frac{5}{8}$ " | $1\frac{13}{16}$ " |



*Hardware shown in the Antique finish.
See the rest of the finishes online at
www.borton-brasses.com/stirruppulls.asp*



Available
Finishes



H-83 1" ACTUAL SIZE



HORTON
BRASSES, INC.

*Your choice of 1" and 1 $\frac{1}{8}$ " back
plates are available for ordering.*

