

HORTON BRASSES, INC.

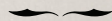
MAKERS OF FINE HARDWARE

~ SINCE 1936 ~

Digital Catalog 2019



Bed Hardware



H-73 Bed Bolts

Bed bolts hold the posts and the rails of pencil post and other poster beds together. A billet of $\frac{3}{8}$ " diameter steel is hot forged to create a $\frac{3}{8}$ " square head with a built in $\frac{15}{16}$ " flange. Each is supplied with a $\frac{3}{4}$ " square nut. Our bolts and nuts have 16 threads per inch.

Dimensions

	length	diameter
H-73 6"	6"	$\frac{3}{8}$ "
H-73 7"	7"	$\frac{3}{8}$ "



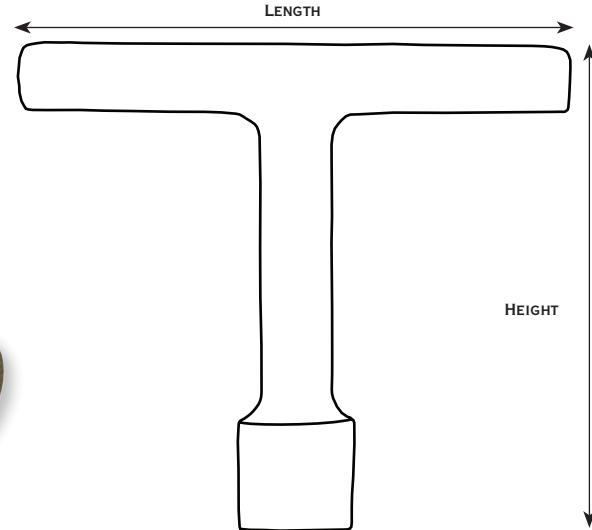
BW-3 Bed Wrench

Dimensions

	length	height
BW-3	$3\frac{13}{16}$ "	$3\frac{3}{8}$ "

Authentic bed hardware is hard to find. Luckily we offer a diverse selection of solid brass bed bolt covers, steel bed bolts, and bed irons for supporting your box spring, as well as this hand cast bronze bed wrench.

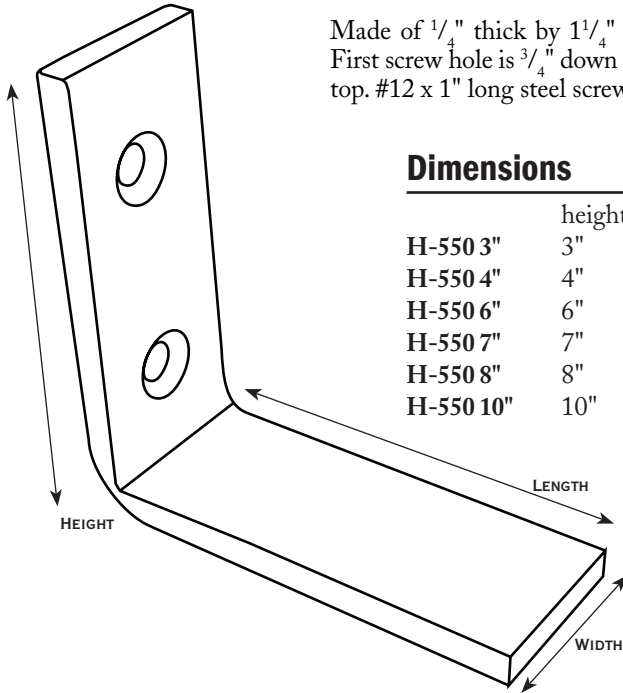
These cast bronze bed wrenches will fit our and all $\frac{3}{8}$ " square head bed bolts.



H-550 Bed Irons

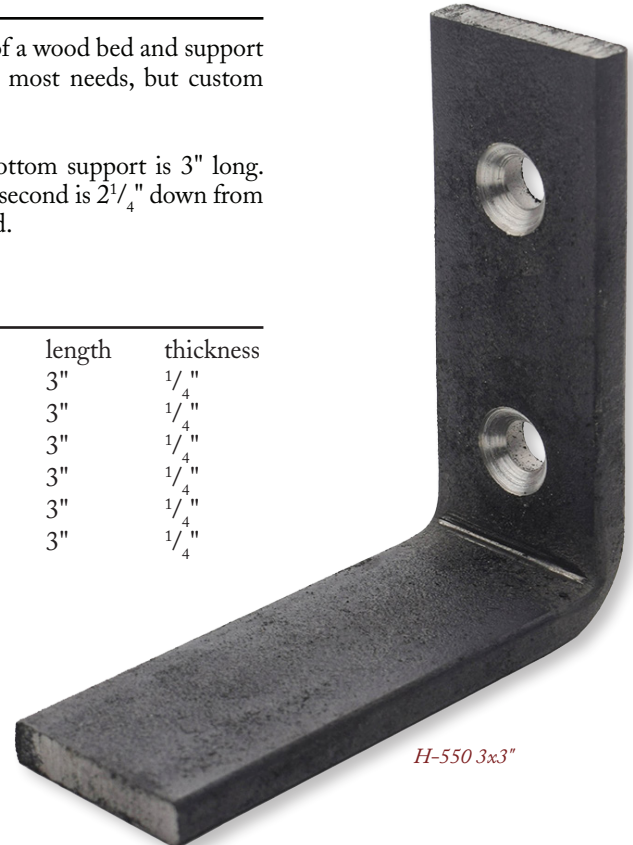
Bed irons mount on the inside of the rail of a wood bed and support the box spring. Six standard sizes satisfy most needs, but custom configurations are available.

Made of $\frac{1}{4}$ " thick by $1\frac{1}{4}$ " wide steel. Bottom support is 3" long. First screw hole is $\frac{3}{4}$ " down from top and second is $2\frac{1}{4}$ " down from top. #12 x 1" long steel screws are included.



Dimensions

	height	width	length	thickness
H-550 3"	3"	$1\frac{1}{4}$ "	3"	$\frac{1}{4}$ "
H-550 4"	4"	$1\frac{1}{4}$ "	3"	$\frac{1}{4}$ "
H-550 6"	6"	$1\frac{1}{4}$ "	3"	$\frac{1}{4}$ "
H-550 7"	7"	$1\frac{1}{4}$ "	3"	$\frac{1}{4}$ "
H-550 8"	8"	$1\frac{1}{4}$ "	3"	$\frac{1}{4}$ "
H-550 10"	10"	$1\frac{1}{4}$ "	3"	$\frac{1}{4}$ "



Dimensions

	height	width	projection
H-33	2 $\frac{1}{8}$ "	1 $\frac{1}{2}$ "	$\frac{3}{8}$ "



See the rest of the finishes online at www.horton-brasses.com/bedboltcovers.asp

H-33 Light Antique

Early American Bed Bolt Covers

Bed bolt covers hide the holes where the bed bolts enter the bed posts, and do so in a beautiful way. Beds need tightening periodically, and the cover can be swung up and the bolt exposed for tightening.

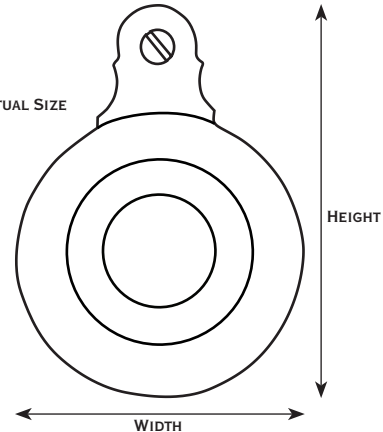
The H-33 is our most popular bed bolt cover. The bullseye pattern fits with many furniture styles and the heavy stock we use to make these gives them a cast appearance. Available in all seven of our finishes.

The H-23, H-33 and H-120 are made from heavier stock.

Available
Finishes



H-33 ACTUAL SIZE



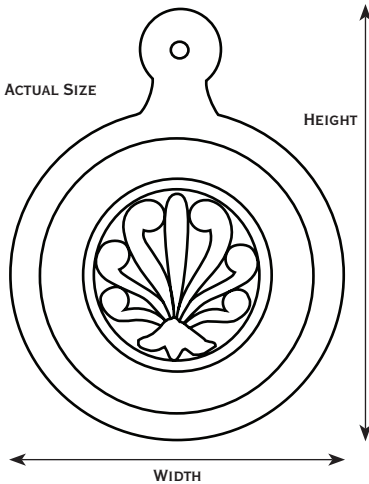
Dimensions

	height	width	projection
H-120	2 ³ / ₈ "	1 ³ / ₄ "	1 ¹ / ₈ "

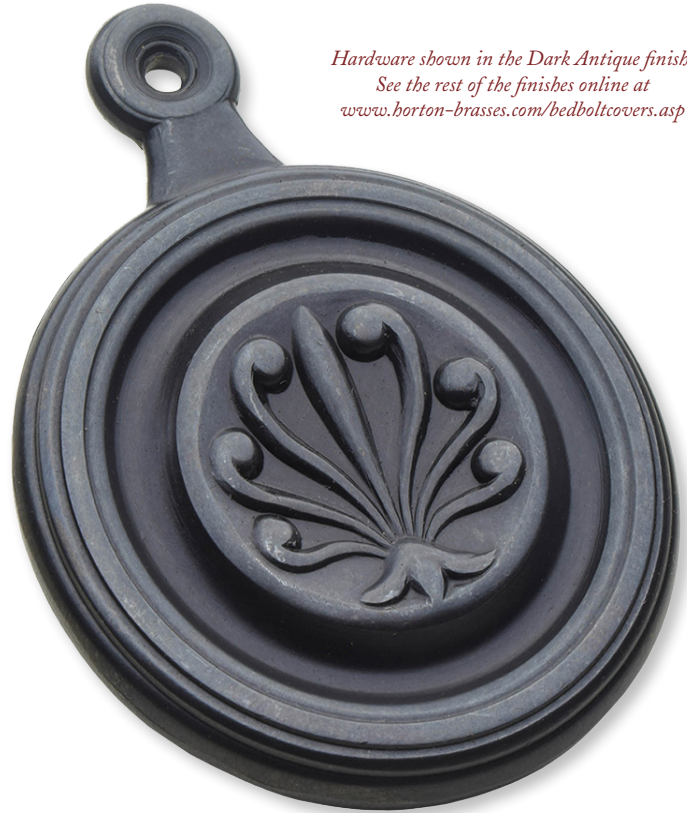
Available
Finishes



H-120 ACTUAL SIZE



*Hardware shown in the Dark Antique finish.
See the rest of the finishes online at
www.horton-brasses.com/bedboltcovers.asp*



Dimensions

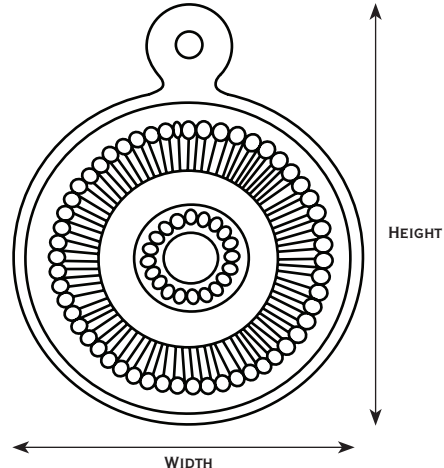
	height	width	projection
BC-8	2 ¹ / ₁₆ ”	1 ⁵ / ₈ ”	5/ ₁₆ ”

Federal Style Single Post Bed Bolt Covers

Federal period bed bolt covers have a very detailed delicate pattern. Made from very thin brass to allow for the detail, just as they have been for 200 years. Available in all seven of our finishes.



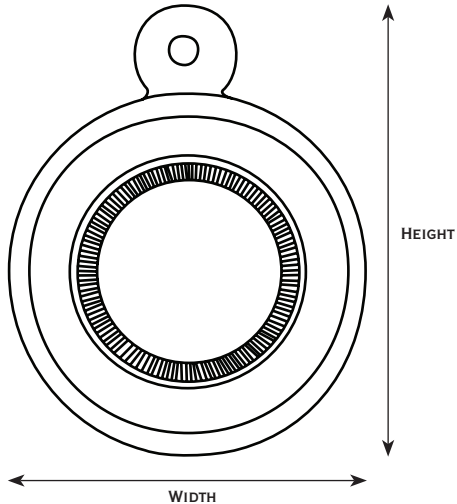
*Hardware shown in the Semi-Bright finish.
See the rest of the finishes online at
www.horton-brasses.com/bedboltcovers.asp*



Available
Finishes

Dimensions

	height	width	projection
BC-9	$2\frac{1}{16}$ "	$1\frac{5}{8}$ "	$\frac{3}{8}$ "



*Hardware shown in the Dark Antique finish.
See the rest of the finishes online at
www.horton-brasses.com/bedboltcovers.asp*



Federal Single Post Bed Bolt Covers

Floral patterns were very common in the Federal era. The settlers and early Americans were amazed at the beauty of the new world they were exploring. The hardware reflected that awe. Stamped from thin brass, just like the originals.



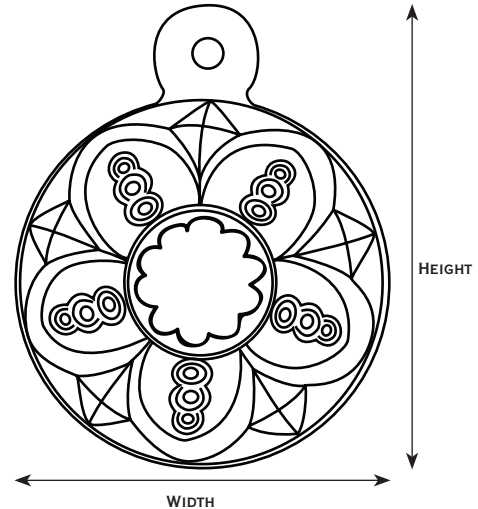
*Hardware shown in the Antique finish.
See the rest of the finishes online at
www.horton-brasses.com/bedboltcovers.asp*



Available
Finishes

Dimensions

	height	width	projection
BC-10	2 $\frac{1}{16}$ "	1 $\frac{5}{8}$ "	3 $\frac{3}{8}$ "



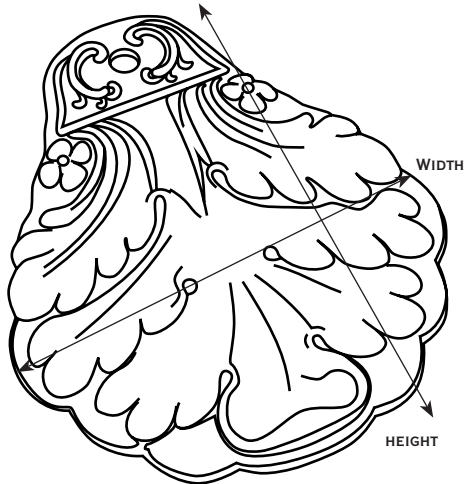
Early American Bed Bolt Covers

Made from heavy stock and available in all seven finishes. Nickel finishes are a semi-custom finish and may have a short lead time.

*Hardware shown in the Antique finish.
See the rest of the finishes online at
www.horton-brasses.com/bedboltcovers.asp*

Dimensions

	height	width	projection
H-23	2 $\frac{1}{4}$ "	1 $\frac{7}{8}$ "	$\frac{1}{8}$ "



Available
Finishes



BED HARDWARE

Federal Style Double Post Bed Bolt Covers

Bed bolt covers hide the holes where the bed bolts enter the bed posts, and do so in a beautiful way. Beds need tightening periodically, and the cover can be swung up and the bolt exposed for tightening.



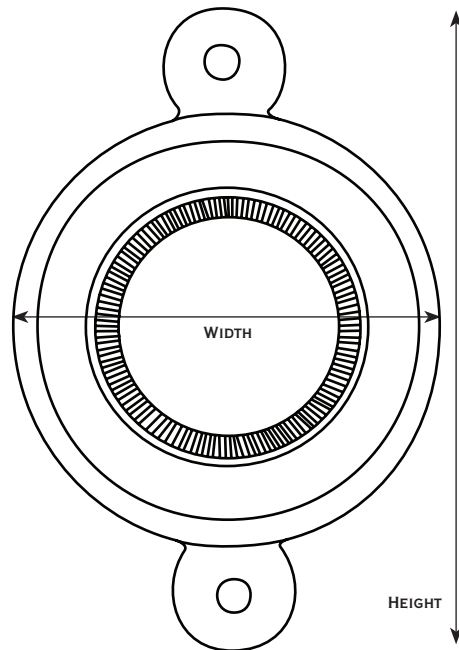
*Hardware shown in the Antique finish.
See the rest of the finishes online at
www.horton-brasses.com/bedboltcovers.asp*



Available
Finishes

Dimensions

	height	width	projection
BC-5	3"	2"	1/2"

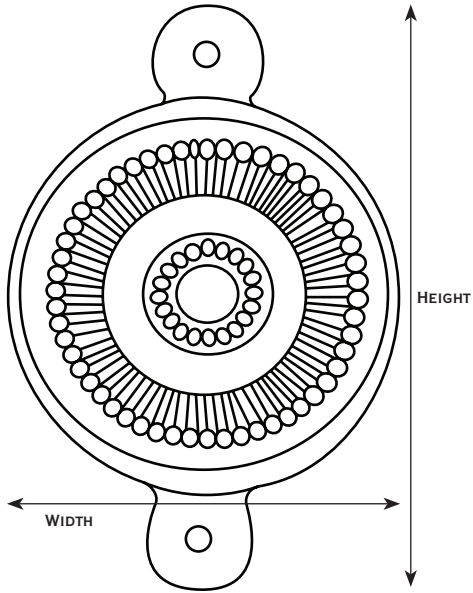


Dimensions

	height	width	projection
BC-6	3"	2"	$\frac{3}{8}$ "



Available
Finishes



*Hardware shown in the Light Antique finish.
See the rest of the finishes online at
www.horton-brasses.com/bedboltcovers.asp*

Federal Style Double Post Bed Bolt Covers

The last of the floral Federal covers. This cover, like the rest of the larger covers, is well suited for restoration work to cover damage.



*Hardware shown in the Antique finish.
See the rest of the finishes online at
www.horton-brasses.com/bedboltcovers.asp*



Available
Finishes

Dimensions

	height	width	projection
BC-7	3"	2"	$\frac{3}{8}$ "

